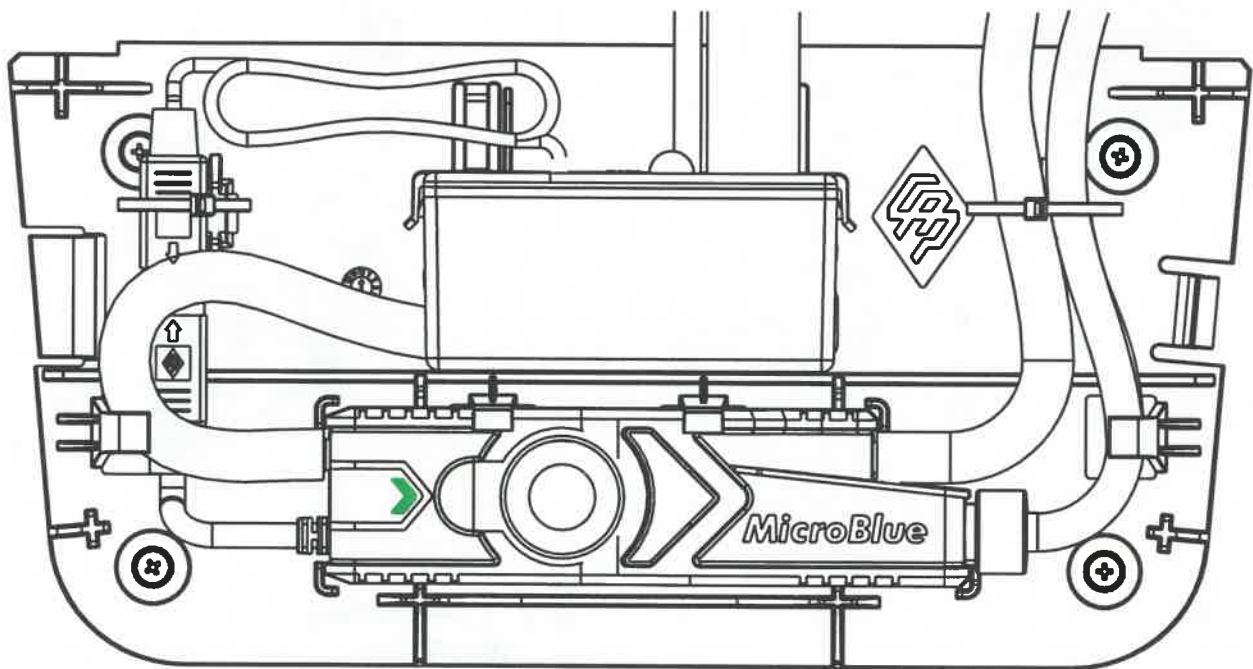


# MICROBLUE<sup>®</sup>

## FASCIA KIT



(PUMP NOT INCLUDED)

S30-618/2



**CHARLES AUSTEN**  
PUMPS LTD

**3** YEAR  
WARRANTY

## WARNING:

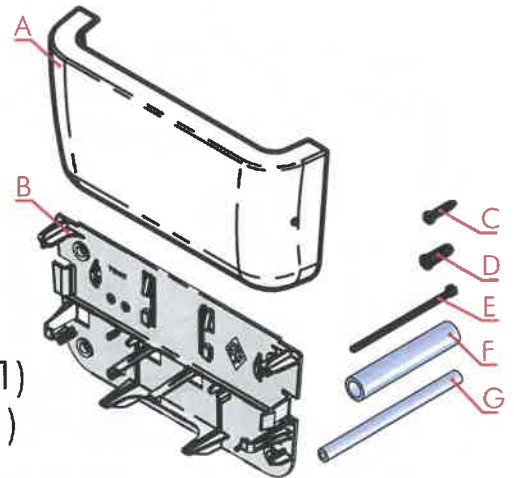


- Installation must be performed by suitably qualified service engineer only.
- Ensure relevant mains power is isolated prior to installation and maintenance.
- Do not use if product is damaged.
- Product is for indoor use only.
- The unit must be installed level.
- Installation of the MICROBLUE® pump must be made in accordance with the MicroBlue instruction manual.
- Following installation ensure an operational test is conducted as per the MICROBLUE® instruction manual.

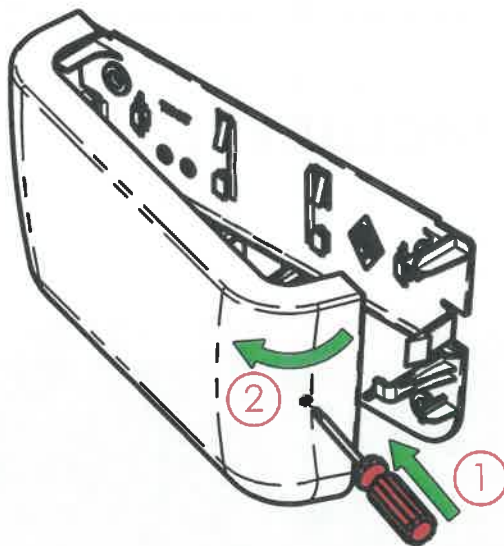


### IN THE BOX

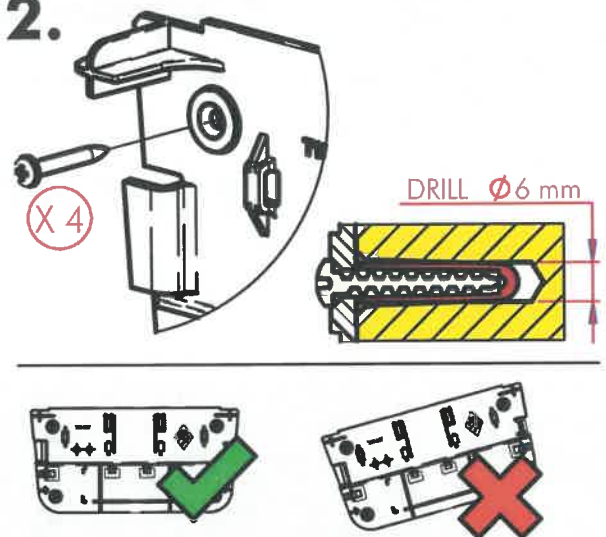
- A. Cover (x 1)
- B. Base Plate (x 1)
- C. Mounting screws (x 4)
- D. Wall Plug (x 4)
- E. Cable Tie (x 1)
- F. A/C Outlet Tube 100mm (x 1)
- G. Connector Tube 140mm (x 1)



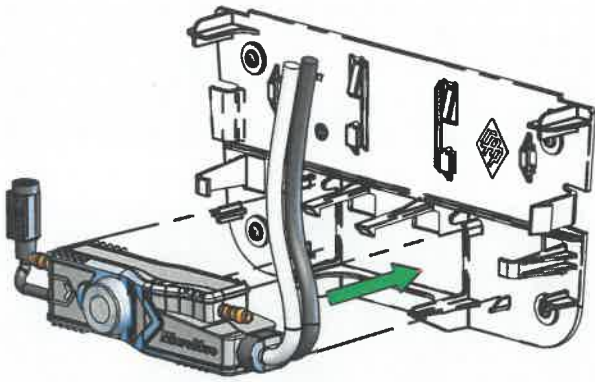
1.



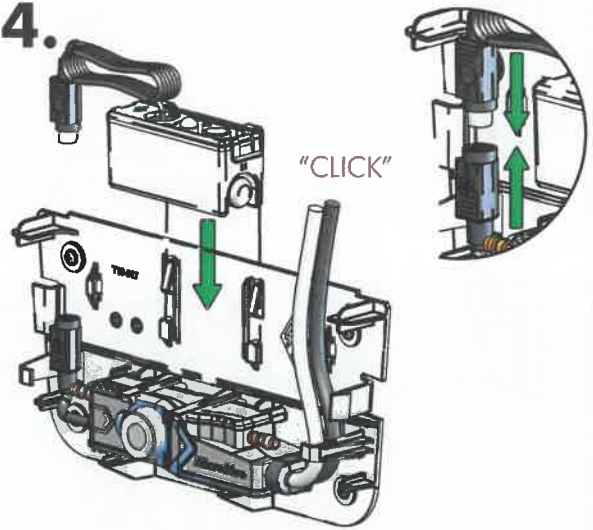
2.



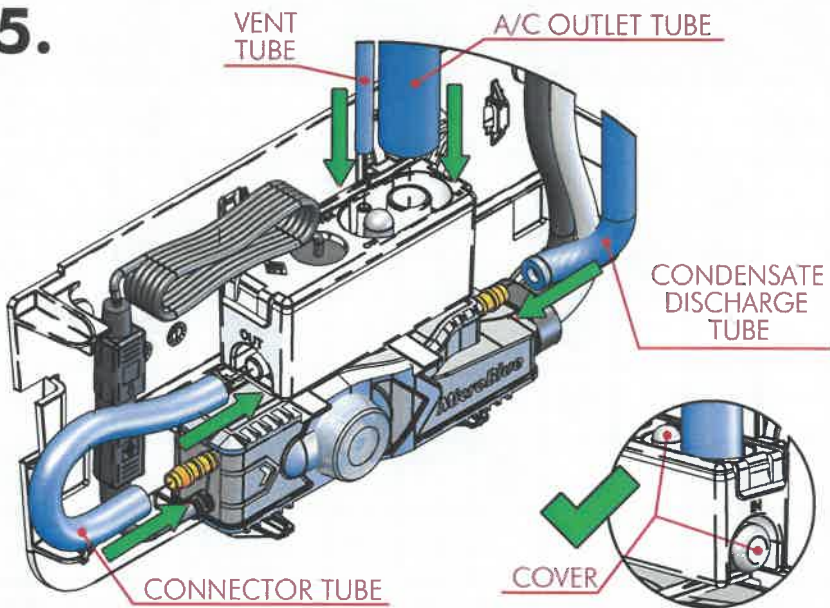
3.



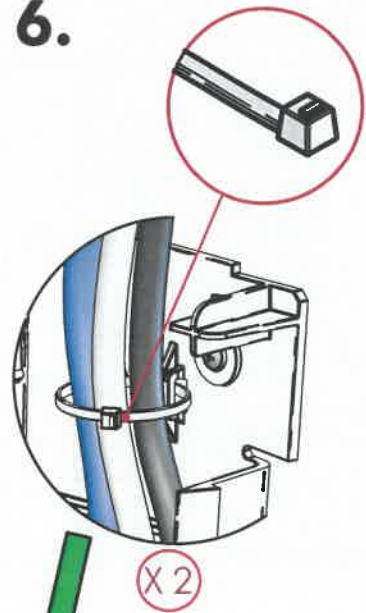
4.



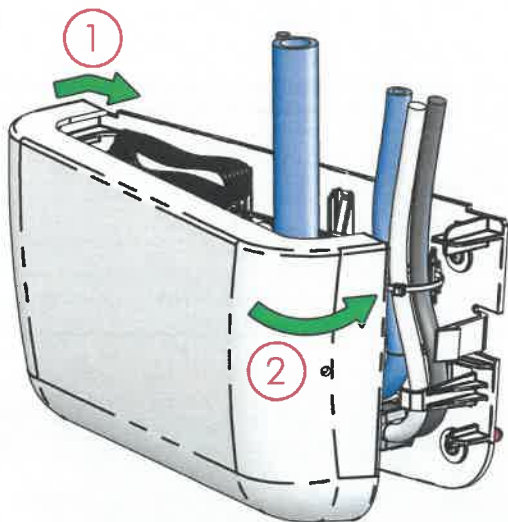
5.



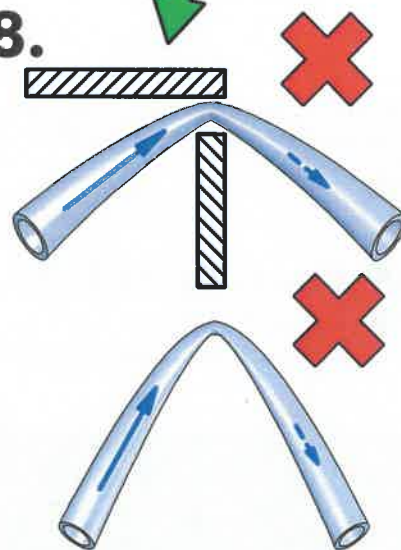
6.



7.



8.



# BLUEDIAMOND

CONDENSATE REMOVAL PUMPS

BLUEDIAMOND PUMP SELECTOR GUIDE	INDUSTRY		UNIT					PERFORMANCE				INSTALLATION		
	AIR CONDITIONING	REFRIGERATION	3.5 KW	3.5 - 5 KW	5 - 8 KW	8 - 14 KW	14 - 50 KW	MAX FLOW (L/HR)	MAX HEAD (M)	MAX LIFT (M)	SOUND (DBA)	IN UNIT	DUCTING	REMOVED
<b>MICROBLUE™</b>	✓		✓					5	5	2	17	✓	✓	✓
<b>MINIBLUE®</b>	✓			✓	✓			8	8	5	21			✓
<b>MINIBLUE<sub>R</sub>®</b>	✓			✓	✓			8	8	5	21	✓	✓	✓
<b>MAXIBLUE®</b>	✓					✓		14	8	8	21	✓		✓
<b>MAXIBLUE<sup>PRO</sup>®</b>	✓					✓		14	8	8	21	✓		✓
<b>MEGABLUE®</b>	✓	✓					✓	50	20	7	23			✓
<b>ARCTIKBLUE®</b>		✓						50	20	-	23			

Distributed by:-



**CHARLES AUSTEN**  
PUMPS LTD

ROYSTON RD, BYFLEET, SURREY, KT14 7NY, UK  
 TEL: +44 (0)1932 355277  
 FAX: +44 (0)1932 351285  
 INFO@CHARLESAUSTEN.COM  
 WWW.CHARLESAUSTEN.COM