

NEK6217GK



ENGINEERING CODE
959GA51



REFRIGERANT
R-404A



POWER SUPPLY
220-240 V 50 Hz



APPLICATION
MBP



MOTOR TYPE
CSCR



STANDARD
ASHRAE



COOLING CAPACITY
1277 W



EFFICIENCY
1.67 W/W



DATA

GENERAL DATA

Model	NEK6217GK
Type	Hermetic Reciprocating
Technology	ON/OFF
Compressor Application	MBP
Expansion Device	Capillary Tube or Expansion Valve
Compressor Cooling	Fan/220
HP	3/4
Starting Torque	HST
Plant	SLOVAKIA

ELECTRICAL DATA

Start Winding Resistance	11.7 Ω at 25°C
Run Winding Resistance	3.56 Ω at 25°C

MECHANICAL DATA

Displacement	14.28 cm ³
Oil Charge	350 ml
Oil Type	ESTER
Oil Viscosity	ISO22
Weight	11.6 Kg

ELECTRICAL COMPONENTS

Start Capacitor	72-88 µf/330 V
Run Capacitor	15.0 µf/440 V
CSR CSIR BOX	Yes
Starting Device Description	RVA403C-123
Overload Protection	T0188/G9

PERFORMANCE

TESTED CONDITIONS

Tested Refrigerant	R-404A
Tested Application	MBP
Tested Standard	ASHRAE
Tested Cooling	Fan
Tested Voltage	220 V
Refrigerant Temperature	Dew

RATED POINTS

Condensing Temperature °C	Evaporating Temperature °C	Cooling Capacity W	Efficiency W/W	Power Consumption W	Current A	Gas Flow Rate kg/h
54.4	-6.7	1277	1.67	764	3.82	34.85

Test Condition: Subcooling 8.3 K, Return Gas 35 °C. Data generated in accordance to EN 12900:2013 polynomial equation and tolerance guidelines.

PERFORMANCE CURVE

Condensing Temperature 35°C

Evaporating Temperature °C	Cooling Capacity W	Efficiency W/W	Power Consumption W	Current A	Gas Flow Rate kg/h
-20	1008	1.88	536	2.69	21.88
-15	1238	2.12	583	2.91	27.06
-10	1510	2.37	638	3.14	33.19
-5	1826	2.63	694	3.39	40.41
0	2187	2.93	747	3.64	48.83
5	2595	3.28	792	3.92	58.57
10	3053	3.72	822	4.20	69.75

Test Condition: Subcooling 8.3 K, Return Gas 35 °C. Data generated in accordance to EN 12900:2013 polynomial equation and tolerance guidelines.

PERFORMANCE CURVE

Condensing Temperature 45°C

Evaporating Temperature °C	Cooling Capacity W	Efficiency W/W	Power Consumption W	Current A	Gas Flow Rate kg/h
-20	875	1.50	582	2.83	20.98
-15	1078	1.71	632	3.10	26.02
-10	1317	1.89	695	3.37	32.00
-5	1593	2.08	767	3.66	39.02
0	1908	2.27	842	3.96	47.20
5	2265	2.48	915	4.27	56.68
10	2665	2.72	981	4.60	67.56

Test Condition: Subcooling 8.3 K, Return Gas 35 °C. Data generated in accordance to EN 12900:2013 polynomial equation and tolerance guidelines.

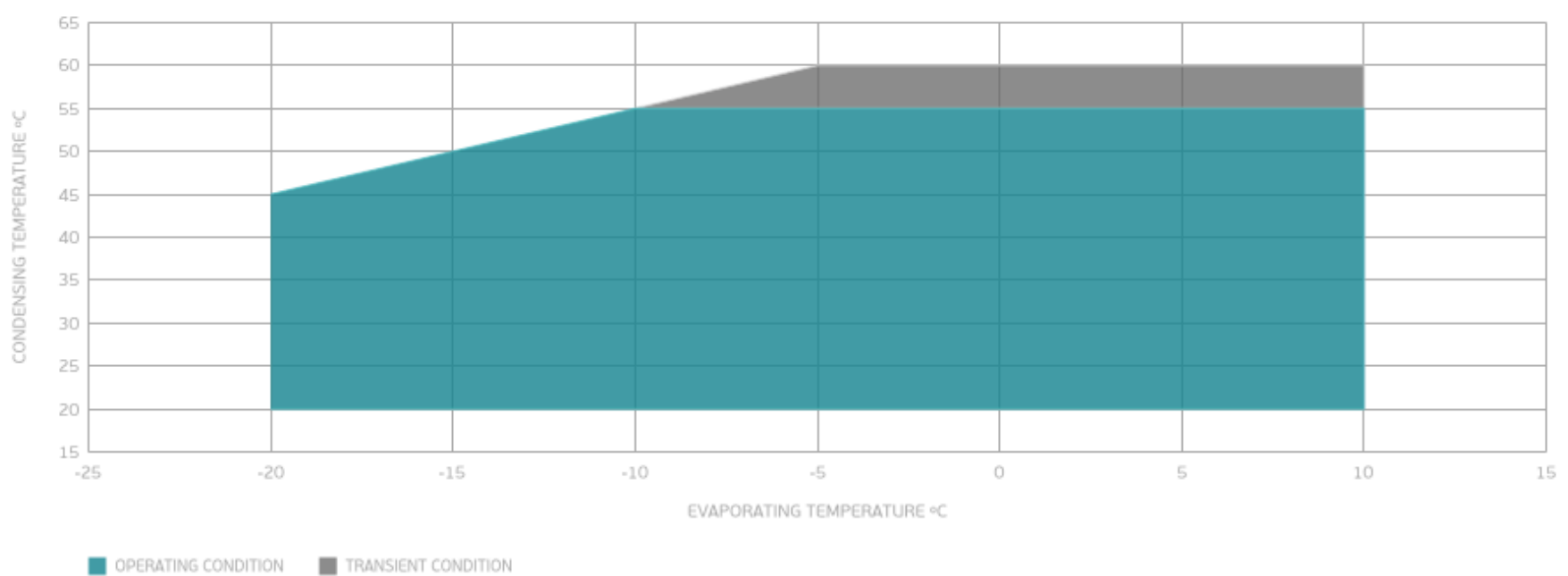
PERFORMANCE CURVE

Condensing Temperature 55°C

Evaporating Temperature °C	Cooling Capacity W	Efficiency W/W	Power Consumption W	Current A	Gas Flow Rate kg/h
-10	1111	1.56	713	3.61	30.36
-5	1347	1.70	793	3.96	37.17
0	1617	1.83	882	4.32	45.11
5	1922	1.97	975	4.69	54.31
10	2264	2.12	1068	5.07	64.89

Test Condition: Subcooling 8.3 K, Return Gas 35 °C. Data generated in accordance to EN 12900:2013 polynomial equation and tolerance guidelines.

ENVELOPE



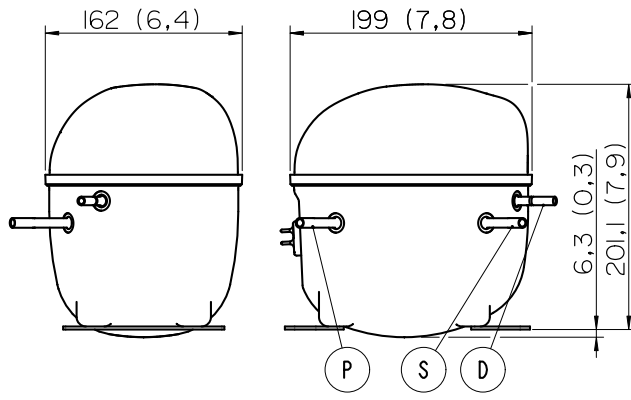
External

EXTERNAL CHARACTERISTICS

Base Plate		SMALL	
Tray Holder		NO	
Connector	Internal Diameter	Shape	Material
Suction	8.1 mm	SLANTED 42°	COPPER
Discharge	6.1 mm	STRAIGHT	COPPER

EXTERNAL DIMENSIONS

SHELL



BASE



FENCE

