

# MICROBLUE® SLIM FASCIA KIT

**WARNING:**

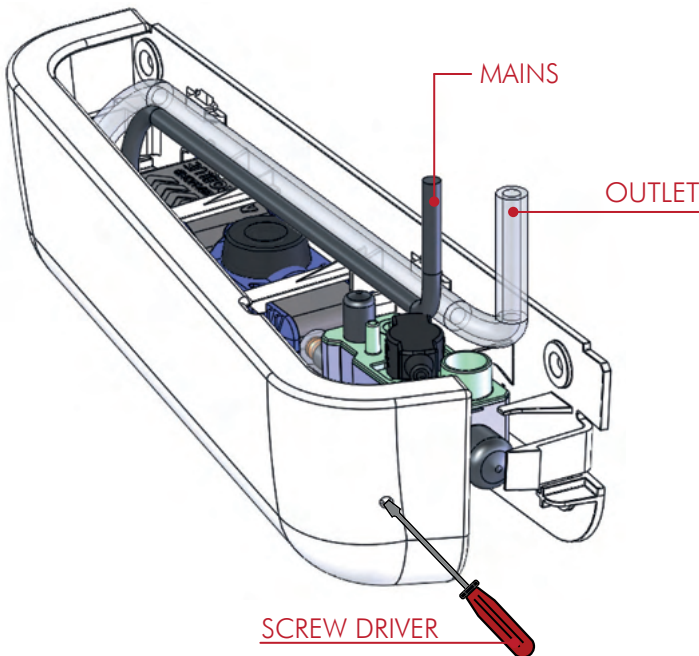


- Installation must be performed by suitably qualified service engineer only.
- Ensure relevant mains power is isolated prior to installation and maintenance.
- Do not use if product is damaged.
- Product is for indoor use only.
- The unit must be installed level.
- Installation of the MICROBLUE® pump must be made in accordance with the MicroBlue instruction manual.
- Following installation ensure an operational test is conducted as per the MICROBLUE® instruction manual.

**IN THE BOX**

- Cover (x1)
- Base Plate (x1)
- Mounting screws (x4)
- Wall Plug (x4)
- Cable Tie (x1)
- A/C Outlet Tube 100mm (x1)
- Connector Tube 140mm (x1)

**1.**



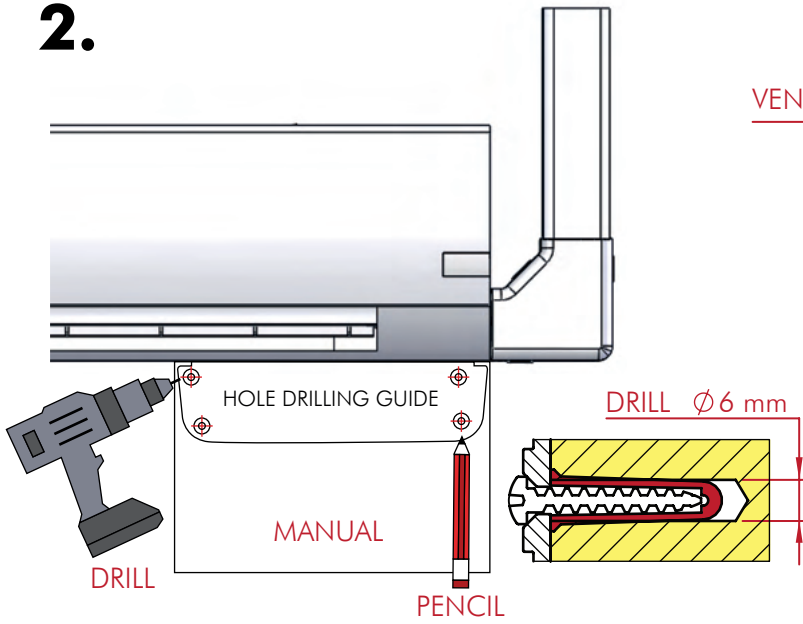
# HOLE DRILLING GUIDE



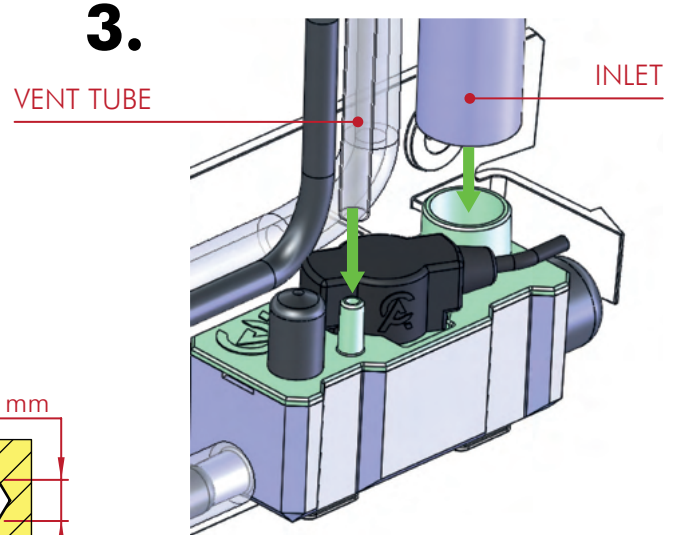
ALIGN WITH UNDERSIDE OF AC UNIT



2.

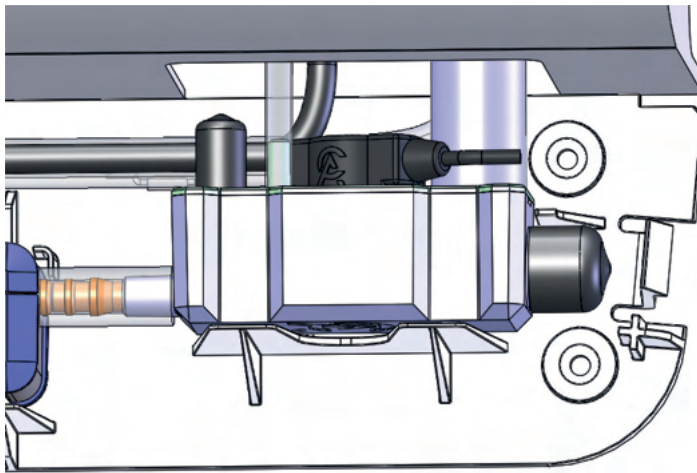


3.

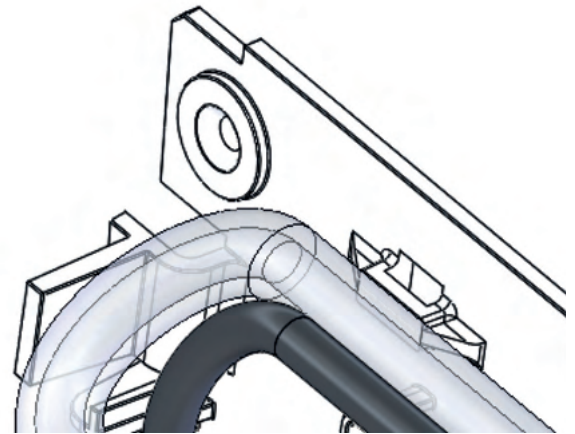


4.

AC UNIT



5.



Feed Facia Kit into the AC unit cutout on right hand side of the unit.

6.

Follow the MICROBLUE manual for installation into AC unit and necessary test.

7.

